

Model No:

BFX740

Terrace & Patio Heater



## Operating Instructions

Safety Information.....	2
Assembly Parts.....	4
Setting Up.....	6
Heater Stand & Location.....	9
Leakage Testing.....	11
Operation & Storage.....	12
Before Requesting Help.....	13
Technical Data & Specifications	14
Guarantee.....	15



*Please retain this manual for reference*



Urban Industry Limited  
Thor Industrial Estate  
Braydon Lane  
Cricklade  
SN6 6HQ

Tel: +44 (0) 1793 613900  
Email: [sales@patioheaters4u.com](mailto:sales@patioheaters4u.com)

Registered in England No. 4682994  
Copyright©2003 Urban Industry Limited. All rights reserved.

[www.patioheaters4u.com](http://www.patioheaters4u.com)

## SAFETY INFORMATION

**PLEASE READ THE FOLLOWING SAFETY RULES  
PRIOR TO OPERATION OF THE HEATER.**

If you smell gas:

1. Immediately turn off gas to the appliance.
2. Extinguish any open flame.
3. If you still smell gas, call your gas supplier.
4. Do not store petrol or any other flammable vapours/liquids close to the patio heater.
5. When not in use disconnect the LP cylinder and store away from the patio heater and out of reach of children.

**WARNING:** For Outdoor Use Only.

**WARNING:** Improper installation, adjustment, alteration, service or maintenance can cause injury or property damage. Installation and repair should be done by a qualified service person. Read the installation, operating and maintenance instructions thoroughly before installing or servicing this equipment.

## WARRANTY

This guarantee is in addition to and does not in any way affect any statutory or other consumer rights. If within 12 months of purchase the appliance proves to be defective by reason of faulty design, workmanship or materials, Urban Industry Ltd will undertake to repair or replace subject to the following conditions:

1. The appliance has been purchased and used solely within the UK and in accordance with the operating instructions.
2. The appliance should be returned together with this guarantee and proof of purchase promptly on being found defective at the purchaser's risk and expense.
3. This guarantee shall not apply to damage caused through fire, accident, lightening, misuse, neglect, incorrect adjustment or repair, transit damage, wear and tear, use in improper manner or inconsistent with the technical safety standards in force.
4. If at any time the appliance has been dismantled or repaired by an unqualified service person, the guarantee shall become void.
5. The purchaser's sole and exclusive remedy under this guarantee against Urban Industry Ltd is for the repair or replacement of the appliance or any defective parts. No other remedy, including, but not limited to, incidental or consequential damage or loss of whatsoever nature shall be available to the purchaser.
6. This guarantee does not cover the LPG gas tank.

Date purchased:.....

Serial number: .....

Coating finish:.....

## TECHNICAL DATA & SPECIFICATIONS

- ☞ FOR OUTDOOR USE ONLY
- ☞ USE FOR PROPANE/BUTANE ONLY
- ☞ MAX. WATTAGE 13000W
- ☞ MIN. WATTAGE 5000W
- ☞ HEAT CAPACITY 43,000BTU/h
- ☞ CONSUMPTION 450g/h-870g/h
- ☞ WEIGHT 22KG
- ☞ HEIGHT 2250mm

This appliance has been subjected to an AGA test and has been registered with the corresponding CE labelling.

Country of Manufacture	Taiwan
------------------------	--------

Table of orifices

Gas pressure mm H <sub>2</sub> O	Main orifice diameter in mm	Orifice pilot burner in mm
280/300	1.8	0.25

**CE 0085**

## PLEASE READ THE SAFETY GUIDELINES PRIOR TO OPERATION OF THE HEATER

- This outdoor gas appliance is for outdoor use only and must not be used in a building, garage or any enclosed area.
- The pressure regulator and hose assembly supplied with the patio heater must be used. Replacement regulator and hose assembly must be those specified by the manufacturer.
- Patio Heater must be placed on a solid and level surface.
- Always ensure ample fresh air for ventilation.
- Maintain proper clearance to combustion chamber (top 50cm sides 60cm).
- Do not attempt to alter the unit in any manner.
- Prior to each use check the patio heater for any wear to the hose, regulator, pilot and burner.
- Do not transport heater while it's operating. Allow to cool down before moving.
- All leak tests should be done with a soapy solution.

### NEVER USE AN OPEN FLAME TO CHECK FOR LEAKS.

Check the heater immediately if any of the following exists:

- The heater does not reach temperature
- The burner makes a popping noise during use (a slight noise is normal when the burner is extinguished).
- The smell of gas in conjunction with extreme yellow tipping on the burner flame.

Maintenance Instructions:

- Do not clean heater with cleaners that are combustible or corrosive
- Check and clean burner tubes for insect debris.
- Do not paint radiant screen, control panel or canopy reflector

### GAS REQUIREMENTS

- Use propane only. The regulator and high pressure hose are supplied for propane use only. To convert to butane please consult with a qualified gas engineer.
- Never connect to an unregulated propane tank.
- A dented, rusted or damaged propane tank may be hazardous and should be checked by your gas supplier. Never use a propane tank with a damaged valve connection.

## ASSEMBLY PARTS & PROCEDURE

### Parts supplied:

- Cylinder base with LPG tank housing
- Post assembly with 3 pcs post bracket
- Burner assembly and fittings
- Propane regulator, 2 clips and high pressure LPG hose
- 81cm reflector inc. 6pcs 20mm washer and 3 pcs wing nuts
- 4 M6 x 10mm bolts for assembly post and burner
- 6 pcs bolt & nuts M6 x 35mm for post and post brackets
- 3 pcs bolts M8 x 16mm for post bracket and stand
- 3 pcs ground fixer
- 6 pcs M6 x 10mm ground fixer bolts & nuts

### Tools needed:

- Open end wrench 10 & 13MM
- Adjustable opening wrench (2) 8 inches long
- Slip joint pliers 9 inches long
- Philips screwdriver – medium blade
- Teflon plumbing tape for joints
- Spray bottle of soapy water for leakage test

## PROBLEM SOLVING

<u>PROBLEM</u>	<u>PROBABLE CAUSE</u>	<u>SOLUTION</u>
Pilot will not light	Gas valve may be OFF Tank fuel empty Opening blocked Air in supply system Loose connection	Turn gas valve ON Refill LPG tank Clean or replace Purge air from lines Check all fittings
Pilot will not stay on	Debris around pilot Loose connections Thermocouple worn Gas leak in line Lack of fuel pressure	Clean dirty area Tighten connections Replace thermocouple Check connections Low fuel in tank
Burner will not light	Pressure is low Opening blocked Control not ON	Low fuel in tank Remove and clean Turn valve to ON

## CLEANING & CARE

- Wipe off powder coated surfaces with a soft moist rag.
- For lacquer surfaces, use a suitable cleaner.
- Do not clean heater with cleaners that are combustible or corrosive.
- Remove debris from burner to keep it clean and safe for use.

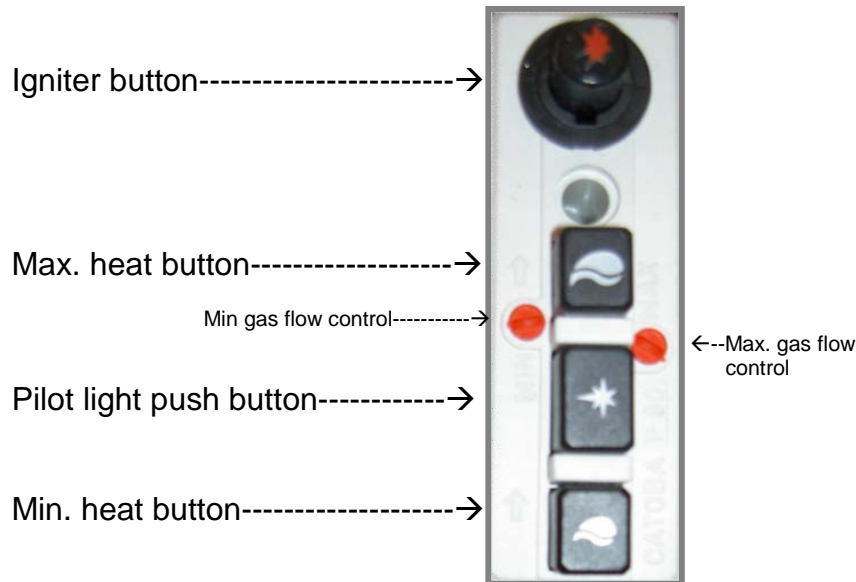
## OPERATION & STORAGE

### TO TURN ON THE HEATER

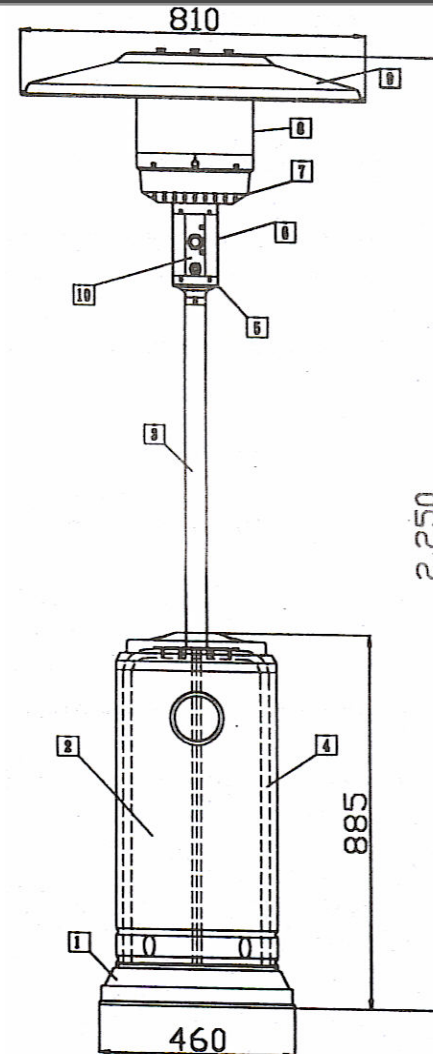
1. Turn On the valve on the gas supply cylinder completely.
2. Press the pilot light button for 30 seconds and hold on then press the igniter button several times until the flame starts. *Note: If a new tank has just been connected, please allow one minute for the air in the gas pipeline to purge out.*
3. After the flame starts, press the minimum heat control button, check the pilot flame stays on. If the flame goes out, repeat (2) as above.
4. Allow 5 to 10 minutes before turning the knob to maximum temperature.

### TO TURN OFF THE HEATER

1. Press the pilot light button.
2. Shut off the valve from the gas supply cylinder completely.



## PARTS & SPECIFICATIONS



1. Cylinder Base
2. Gas tank housing
3. Post
4. Tank housing support
5. Base of control housing
6. Air admittance fences
7. Burner base
8. Flame emitter screen
9. Reflector canopy
10. Gas valve controller

### Construction and Characteristics

- Steel casing with powder-coating or stainless steel finish.
- Steel plated burner with push button settings.
- Stainless steel flame screen.
- Italian pilot control panel.
- Heat emission from reflector.

## STEP-BY-STEP PROCEDURE

### STEP 1:

- 1-1 Place the 3 piece post bracket on each position of the cylinder base as shown.
- 1-2 Screw in the 3 piece of M8 x 15mm bolts on the bracket cylinder assembly.
- 1-3 Tighten each of the bolts.



### STEP 2 :

- 2-1 Put the post on top of the 3 piece post bracket assembly as shown.
- 2-2 Screw in the 6 pieces of M6 x 35mm bolt and M6 nuts through each post hole.
- 2-3 Tighten each bolt.



### STEP 3 :

- 3-1 Put the tank housing through the post as shown.



## CAUTION & LEAKAGE TEST

### PRECAUTIONS

- Periodically check the whole gas system for leaks or immediately if the smell of gas is detected.
- Extinguish all open flames.
- Never leak test while smoking.
- If you cannot stop a leak, turn off the gas supply and call your gas supplier.
- The heater must be checked with a full cylinder.
- Do not use the heater until all connections have passed a leak test.
- Only use parts recommended. Substitute parts can void the warranty.

## PROCEDURE FOR A LEAKAGE TEST

Gas connections on the appliance are leak tested at the factory prior to shipment. A complete gas tightness check must be carried out at the installation site.

- Make a soapy solution of one part liquid detergent and one part water. The soapy solution can be applied with a spray bottle, brush or rag. Soap bubbles will appear where a leak is present.
- Make sure the safety control valve is in the OFF position.
- Turn the gas supply ON.
- If a leak is present, turn off the gas supply. Tighten any leaking fittings, then turn on gas supply and re-check.



## SETTING UP

### HEATER STAND AND LOCATION

- The appliance can be anchored with the use of the ground fixing bracket.
- To fix the heater into the ground attach the 3 pcs ground fixers using M6 x 10mm (length) fixer bolts. See figure 2.

#### Fortification in the Ground

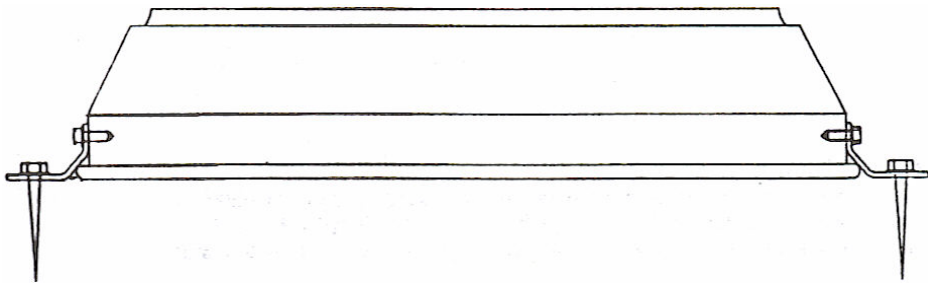


Figure 2

### TO STORE THE HEATER

1. Remove the regulator from the gas tank.
2. Inspect the tank for any damage. If you suspect that your tank is damaged, return it to your gas supplier.
3. Store the gas tank in a well ventilated area. Never store the gas tank below ground i.e. basement.

## STEP-BY-STEP PROCEDURE

### STEP 4 :

- 4-1 Fit the LPG hose onto the burner gas inlet connector as shown.
- 4-2 Tighten the jubilee clip around the hose and gas inlet connector.
- 4-3 Tread the hose down the post assembly.
- 4-4 Fix the burner base vertically with the post and install 4 pieces of M6 x 10mm bolts and tighten.



### STEP 5 :

- 5-1 Fit the regulator to hose and attach jubilee clip and tighten as shown.
- 5-2 Put the 3 pieces of reflector washer into the supporting top bolt of burner.
- 5-3 Assemble canopy according to canopy instructions.



### STEP 6 :

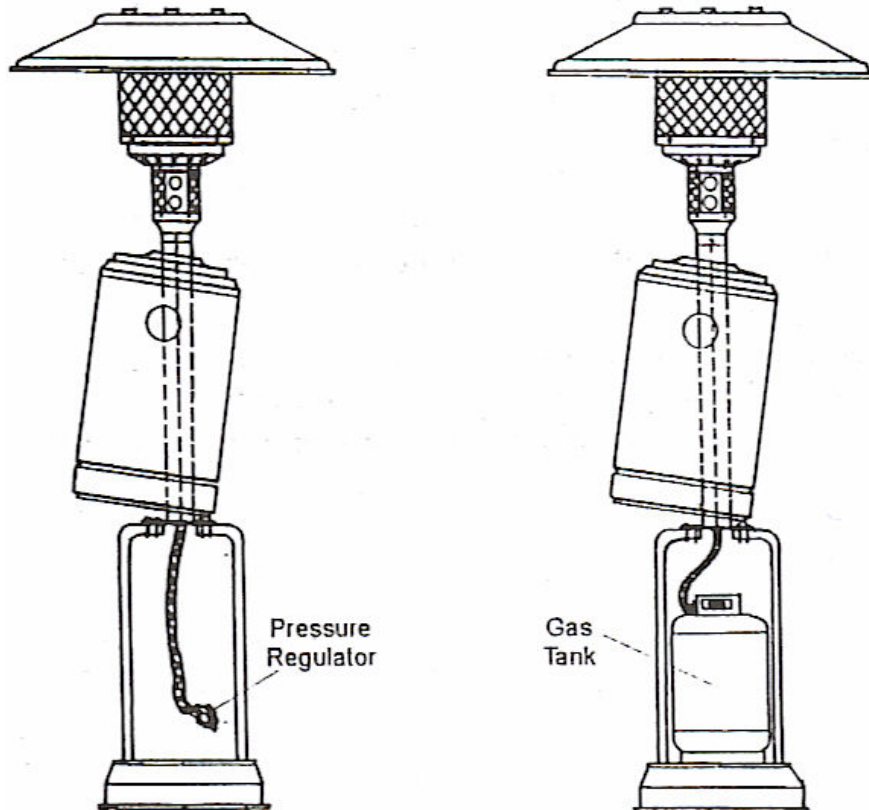
- 6-1 Put the reflector canopy onto the top of the burner aligning through the 3 supporting bolts.
- 6-2 After placing the reflector canopy, place 3 washers and 3 wing nuts on the supporting bolts.
- 6-3 Tighten each of the wing nuts.



## STEP-BY-STEP PROCEDURE

### STEP 7 :

- 7-1 Access the gas storage area by raising the gas tank housing and placing it on top of the post bracket.
- 7-2 Follow the regulator instructions for connecting to gas.
- 7-3 Place propane (recommended fuel) gas cylinder onto cylinder base.
- 7-4 Replace the gas tank housing.



Step 7

## SETTING UP

### HEATER STAND AND LOCATION

- The heater is for outdoor use only. Always ensure adequate fresh air ventilation.
- Always maintain proper clearance to combustable materials, i.e. top 50cm (18 inches) and sides 60cm (24 inches) minimum –see figure 1.
- Heater must be placed on firm level ground.
- The heater must conform to local codes and storage/handling of LPG.
- Never operate heater in an explosive atmosphere where petrol or other flammable liquids or vapours are stored.
- Before moving heater turn off gas supply, allow burner to cool.

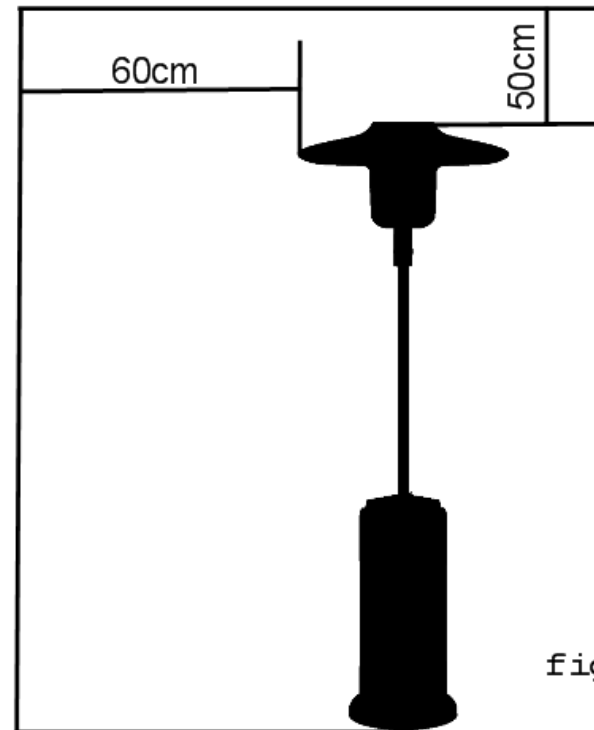


figure 1