



Model No:

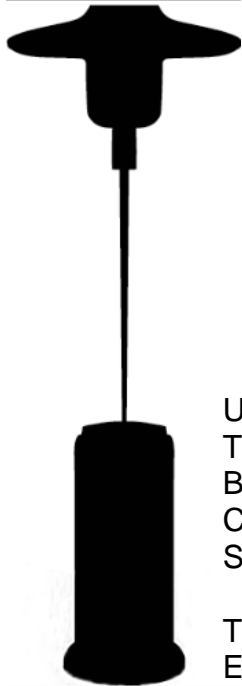
BFX750

Terrace & Patio Heater



Operating Instructions

Safety Information.....	2
Assembly Parts.....	4
Specifications.....	5
Setting Up.....	6, 7, 8
Access & Storage.....	9
Heater Stand & Location.....	10
Leakage Testing.....	11
Operating Heater.....	12
Before Requesting Help.....	13
Technical Data.....	14
Guarantee.....	15



Urban Industry Limited
Thor Industrial Estate
Braydon Lane
Cricklade
SN6 6HQ

Tel: +44 (0) 1793 613900
Email: sales@patioheaters4u.com

Registered in England No. 4682994

Copyright©2003/13 Urban Industry Limited. All rights reserved.

www.patioheaters4u.com

Printed in the UK

CE
Certified

Please retain this manual for reference

SAFETY INFORMATION

PLEASE READ THE FOLLOWING SAFETY RULES PRIOR TO OPERATION OF THE HEATER.

If you smell gas:

1. Immediately turn off gas to the appliance.
2. Extinguish any open flame.
3. If you still smell gas, call your gas supplier.
4. Do not store petrol or any other flammable vapours/liquids close to the patio heater.
5. When not in use disconnect the LPG cylinder and store away from the patio heater and out of reach of children.

WARNING: For Outdoor Use Only.

Improper installation, adjustment, alteration, service or maintenance can cause injury or property damage. Installation, repair and maintenance must be carried out by a qualified service person. Read the installation, operating and maintenance instructions thoroughly before installing or servicing this equipment. As with all gas appliances regular maintenance is required, check for leakages, lubricate moving parts, replace worn thermocouples and ensure all parts are in good service and order before use.

WARRANTY

This guarantee is in addition to and does not in any way affect any statutory or other consumer rights. If within 24 months of purchase for domestic use and 6 months for commercial use, the appliance proves to be defective by reason of faulty design, workmanship or materials, Urban Industry Ltd will undertake to repair or replace subject to the following conditions:

1. The appliance has been purchased and used solely within the EU and in accordance with the operating instructions.
2. The appliance is for use within a domestic environment, commercial use warranty is time limited to 6 months from date of invoice.
3. The appliance should be returned together with this guarantee and proof of purchase promptly on being found defective at the purchaser's risk and expense.
4. This guarantee shall not apply to damage caused through fire, accident, lightning, misuse, neglect, poor maintenance, incorrect adjustment or repair, transit damage, wear and tear, use in improper manner or inconsistent with the technical safety standards in force.
5. If the appliance has been dismantled or repaired by an unqualified service person, the guarantee shall become void.
6. The purchaser's sole and exclusive remedy under this guarantee against Urban Industry Ltd is for the repair or replacement of the appliance or any defective parts. No other remedy, including, but not limited to, incidental or consequential damage or loss of whatsoever nature shall be available to the purchaser.
7. This guarantee does not cover consumable items and LPG gas cylinder.

Date purchased:.....

Serial number:.....

Coating finish:.....

TECHNICAL DATA & SPECIFICATIONS

- ☉ FOR OUTDOOR USE ONLY
- ☉ USE FOR PROPANE/BUTANE ONLY
- ☉ MAX. WATTAGE 13000W
- ☉ MIN. WATTAGE 5000W
- ☉ HEAT CAPACITY 44,000BTU/h
- ☉ CONSUMPTION 450g/hr-870g/hr
- ☉ WEIGHT 20.8KG
- ☉ HEIGHT 2210mm

Spare Parts & Consumable Items

Thermocouple: AFX485, Ignitor: AFX475, Tilt Switch: AFX435A
 Reflector: BFX320, Flame Screen: BFX400, Gas Knob: AFX495
 Electromagnetic Valve: AFX496, Hose: ACH110, Lead: AFX476

Country of Manufacture	PRC
------------------------	-----

Table of orifices

Gas Pressure mm H ₂ O	Main Orifice Diameter	Orifice Pilot Burner
280/300	1.90mm	0.17mm
500	1.80mm	0.18mm

This appliance has been subjected to an AGA test and has been registered with the corresponding CE labelling.

CE 0063

PLEASE READ THE SAFETY GUIDELINES PRIOR TO OPERATION OF THE HEATER

- This outdoor gas appliance is for outdoor use only and must not be used in a building, garage or any enclosed area.
- The pressure regulator and hose assembly supplied with the patio heater must be used.
- Patio Heater must be placed on a solid and level surface.
- Always ensure ample fresh air for ventilation.
- Maintain proper clearance to combustion chamber (top 50cm sides 60cm).
- Do not attempt to alter the unit in any manner and regular inspection and maintenance is required.
- Prior to each use check the patio heater for any wear to the hose, regulator, pilot and burner.
- Do not transport heater while it's operating.
- All leak tests should be done with a soapy solution.

NEVER USE AN OPEN FLAME TO CHECK FOR LEAKS.

Check the heater immediately if any of the following exists:

- The heater does not reach temperature.
- The burner makes a popping noise during use (a slight noise is normal when the burner is extinguished).
- The smell of gas in conjunction with extreme yellow tipping on the burner flame.

Maintenance Instructions:

- Do not clean heater with cleaners that are combustible or corrosive
- Regularly check and clean burner, inspect tubes for insect debris, check for leaks, lubricate moving parts, check LPG hose for wear and tear and replace worn thermocouples.
- Do not paint radiant screen, control panel or reflector.

GAS REQUIREMENTS

- The regulator and high pressure hose are supplied for propane use only. Never connect to an unregulated propane cylinder.
- A dented, rusted or damaged propane cylinder may be hazardous and should be checked by your gas supplier. Never use a propane cylinder with a damaged valve connection.

ASSEMBLY PARTS & PROCEDURE

Parts supplied:

- 1 x cylinder base/stand
- 1 x cylinder housing
- 1 x pole/post
- 3 x pole/post brackets
- 1 x stainless steel burner
- 4 part reflector with assembly, 9 Cup Nuts (M6mm), 9 Small Screws (M6 x 10mm), 9 Small Flat Washers (Ø 6mm).
- 1 x regulator (propane clip-on unless otherwise requested)
- 1 x high pressure LPG hose with 2 clips
- 4 M6 x 10mm bolts for assembly pole & burner
- 6 x bolt & nuts M6 x 35mm for pole/post and pole brackets
- 3 x bolts M8 x 16mm for pole bracket & cylinder base
- 3 x ground fixer with assembly, 6 pieces M6 x 10mm bolts & nuts
- 1 x wheel fitting with assembly, 2 x wheel nuts, 2 x wheel bolts, 4 x wheel washers

Tools needed:

- Open end wrench 10 & 13MM
- Adjustable opening wrench (2) 20 cm long
- Slip joint pliers 23 cm long
- Philips screwdriver – medium blade
- Teflon plumbing tape for joints
- Spray bottle of soapy water for leakage test

PROBLEM SOLVING

<u>PROBLEM</u>	<u>PROBABLE CAUSE</u>	<u>SOLUTION</u>
Pilot will not light	Gas valve may be OFF Cylinder fuel empty Opening blocked Air in supply system Loose connection Worn tilt switch	Turn gas valve ON Refill LPG cylinder Clean pipes Purge air from lines Check all fittings Replace tilt switch
Pilot will not stay on	Thermocouple worn Loose connections Debris around pilot Gas leak in line Lack of fuel pressure	Replace thermocouple Tighten connections Clean dirty area Check connections Low fuel in cylinder
Burner will not light	Thermocouple worn Worn tilt switch Control not ON Pressure is low Opening blocked	Replace thermocouple Replace tilt switch Turn valve to ON Low fuel in cylinder Remove and clean

CLEANING & CARE

- Wipe off powder coated surfaces with a soft moist rag.
- For lacquer surfaces, use a suitable cleaner.
- Do not clean heater with cleaners that are combustible or corrosive.
- Remove debris from burner to keep it clean and safe for use.
- Lubricate moving parts periodically before use, during storage, and if not used for long periods.
- Replace worn thermocouple when needed and check for leaks.
- Check LPG hose and regulator for wear and tear before use and when changing gas cylinders.

OPERATION & STORAGE

TO TURN ON THE HEATER

1. Turn On the valve on the gas cylinder.
2. Press and turn the gas control knob to Pilot position counter-clockwise 90 ° and hold for 30 seconds. *Note: If a new cylinder has just been connected, allow one minute for the air in the gas pipeline to purge out.*
3. At the same time press the igniter until the flame ignites. If the flame goes out, repeat (2) as above.
4. Release the gas control knob, allow 5 to 10 minutes before turning the gas control knob to maximum temperature

TO TURN OFF THE HEATER

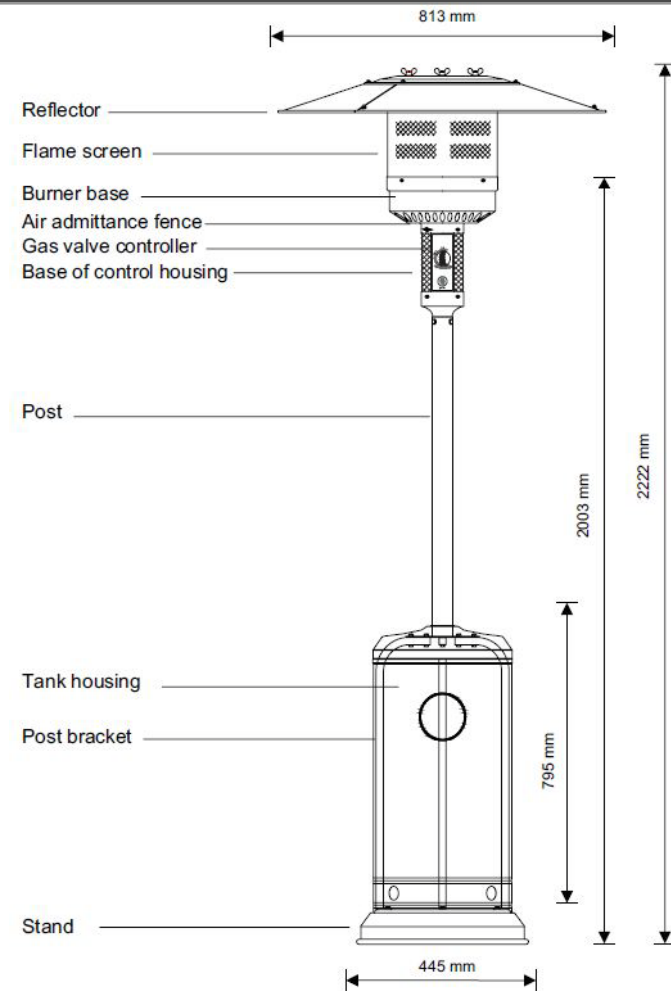
1. Turn the variable gas control knob to pilot position.
2. Press and turn the gas variable control knob to OFF position.
3. Shut off the valve from the gas supply cylinder completely.

Gas Control Knob----→



Igniter-----→

PARTS & SPECIFICATIONS



Construction and Characteristics

- Steel, pole and base.
- Stainless steel burner with variable heat control.
- Stainless steel flame screen.
- Safety tilt auto shut-off.
- Heat emission from reflector.
- Flame failure device.

STEP-BY-STEP PROCEDURE

STEP 1:

Choice of wheel fitting, *ground fixing or plain base.

For plain base continue to **STEP 2**, to fit either wheel or ground fixer:

1-1 Fix the 2 wheel bolts and washers to wheel.



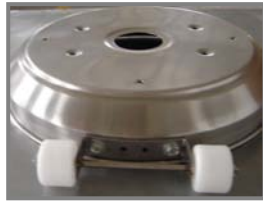
1-2 Place the wheel on the base.



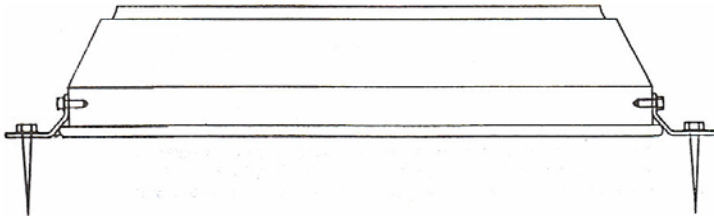
1-3 Turn the base over and fix washers and wheel nuts.



1-4 Check all wheel nuts/bolts are tighten.



*To fix the heater to the ground attach the 3 x ground fixers.



STEP 2 :

2-1 Place the 3 pole/post bracket on each position of the cylinder base as shown.

2-2 Screw in the 3 piece of M8 x 15mm bolts on the bracket cylinder assembly.

2-3 Tighten each of the bolts.



CAUTION & LEAKAGE TEST

PRECAUTIONS

- Periodically check the whole gas system for leaks or immediately if the smell of gas is detected.
- Extinguish all open flames.
- Never leak test while smoking.
- If you cannot stop a leak, turn off the LPG gas supply and call your gas supplier.
- The heater must be checked with a full LPG cylinder.
- Do not use the heater until all connections have passed a leak test.
- Only use parts recommended, see www.patioheaters4u.com for full list of genuine spare parts.
- Substitute parts can void the warranty.

PROCEDURE FOR A LEAKAGE TEST

Gas connections on the appliance are leak tested at the factory prior to shipment. A complete gas tightness check must be carried out at the installation site.

- Make a soapy solution of one part liquid detergent and one part water. The soapy solution can be applied with a spray bottle, brush or rag. Soap bubbles will appear where a leak is present.
- Make sure the safety control valve is in the OFF position.
- Turn the gas supply ON.
- If a leak is present, turn off the gas supply. Tighten any leaking fittings, then turn on gas supply and re-check.

SETTING UP

HEATER STAND AND LOCATION

- The heater is for outdoor use only. Always ensure adequate fresh air ventilation.
- Always maintain proper clearance to combustibles, i.e. top 50cm (18 inches) and sides 60cm (24 inches) minimum –see figure 1.
- Heater must be placed on firm level ground.
- The heater must conform to local codes and storage/handling of LPG cylinders.
- Never operate heater in an explosive atmosphere where petrol or other flammable liquids or vapours are stored.
- Before moving heater turn off the gas supply and allow burner to cool down.

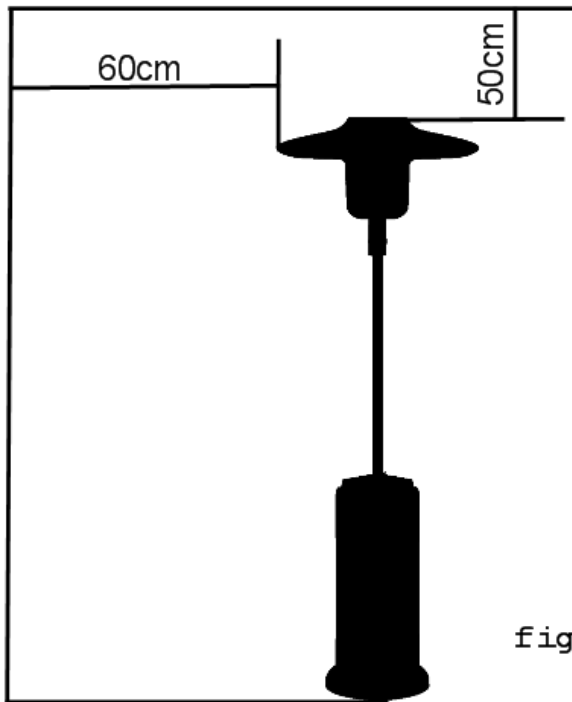


figure 1

STEP-BY-STEP PROCEDURE

STEP 3 :

- 3-1 Put the pole/post on top of the post brackets as shown.
- 3-2 Screw in the 6 pieces of M6 x 35mm bolts and M6 nuts through each post hole.
- 3-3 Tighten each bolt.



STEP 4 :

- 4-1 Put the cylinder housing through the post as shown.



STEP 5 :

- 5-1 Attach the LPG hole to the burner nipple ensuring it's fully covered and secure in place with one jubilee clip and tighten.
- 5-2 Thread the LPG hose down the post assembly.
- 5-3 Fix the burner base vertically with post and install 4 pieces of M6 x 10mm bolts.
- 5-4 Tighten each bolt making sure the control panel and pole label face the same direction.



STEP-BY-STEP PROCEDURE

STEP 6 :

6-1 Fit the regulator to hose and attach jubilee clip and tighten as shown.



STEP 7 :

7-1 Place 6 large flat washers on 3 reflector spacer support bolts and attach to top of the burner.

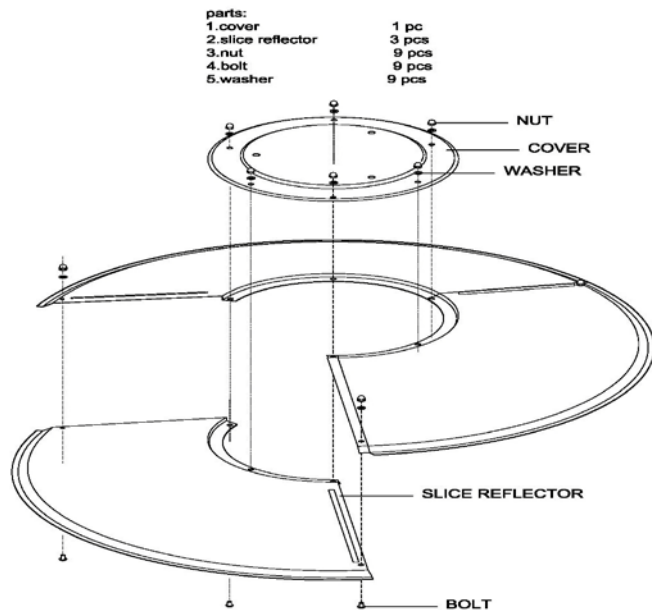
7.2 Tighten each reflector support bolt in place.



STEP 8 :

8-1 Remove all protective wrapping and assemble the aluminium reflector ensuring all nuts & bolts are tighten.

8-2 Place the reflector onto the burner support bolts, add wing nuts and tighten.



SETTING UP

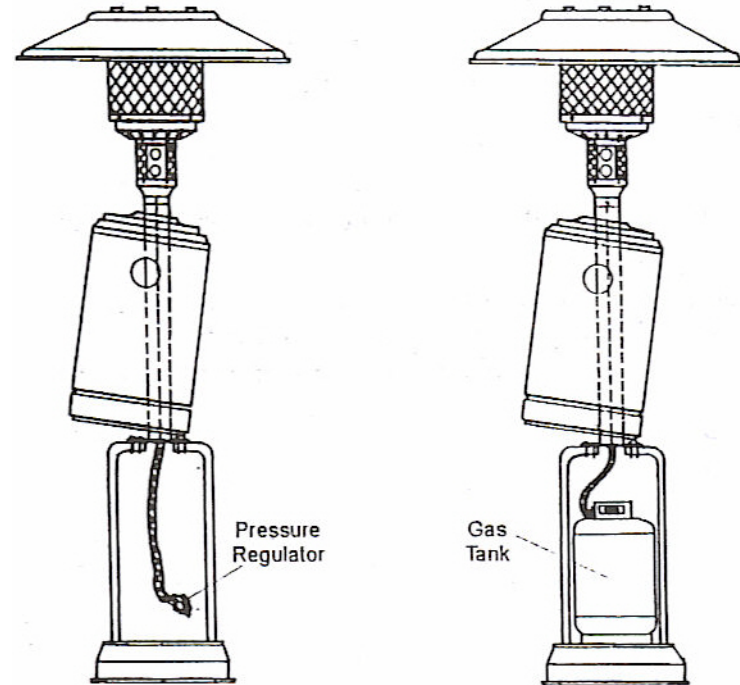
STEP 9 :

9-1 Access the gas storage area by raising the gas cylinder housing and placing it on top of the post bracket.

9-2 Follow the regulator instructions for connecting to gas.

9-3 Place propane (recommended fuel) gas cylinder onto cylinder base.

9-4 Replace the gas cylinder housing.



TO STORE THE HEATER

1. Remove the regulator from the gas cylinder.
2. Inspect the cylinder for any damage. If you suspect that your cylinder is damaged, return it to your gas supplier.
3. Store the gas cylinder in a well ventilated area.
4. Never store the gas cylinder below ground i.e. basement.